

Parts catalogue

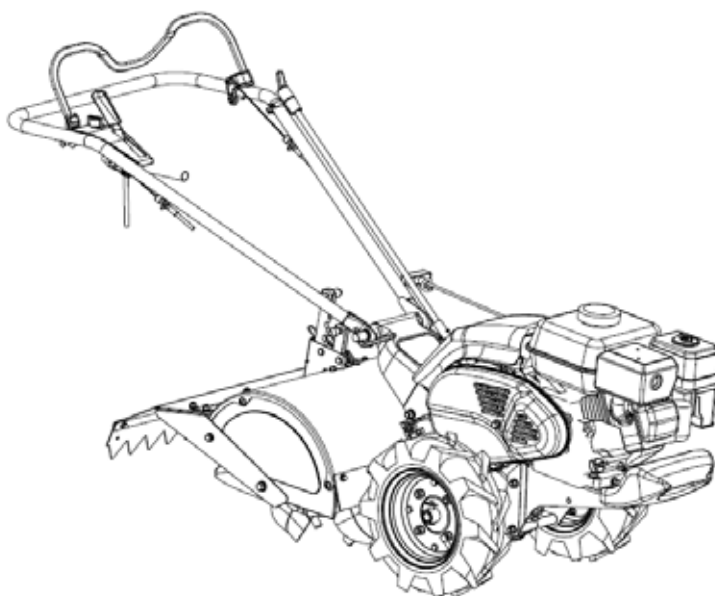
Mini Tiller

(EXPORT MODEL)

SF600

MODEL
SF600

CODE
0031-



| CONTENTS | |
|--------------|-------|
| TIRE | 1 |
| REAR COVER | 2 |
| TINE SHAFT | 3 |
| BELT | 4-5 |
| FRAME | 6 |
| HANDLE | 7-8 |
| ROTARY COVER | 9-10 |
| CHANGE LEVER | 11-12 |
| TRANSMISSION | 13-16 |
| LABEL | 17-18 |

OREC CO.,LTD

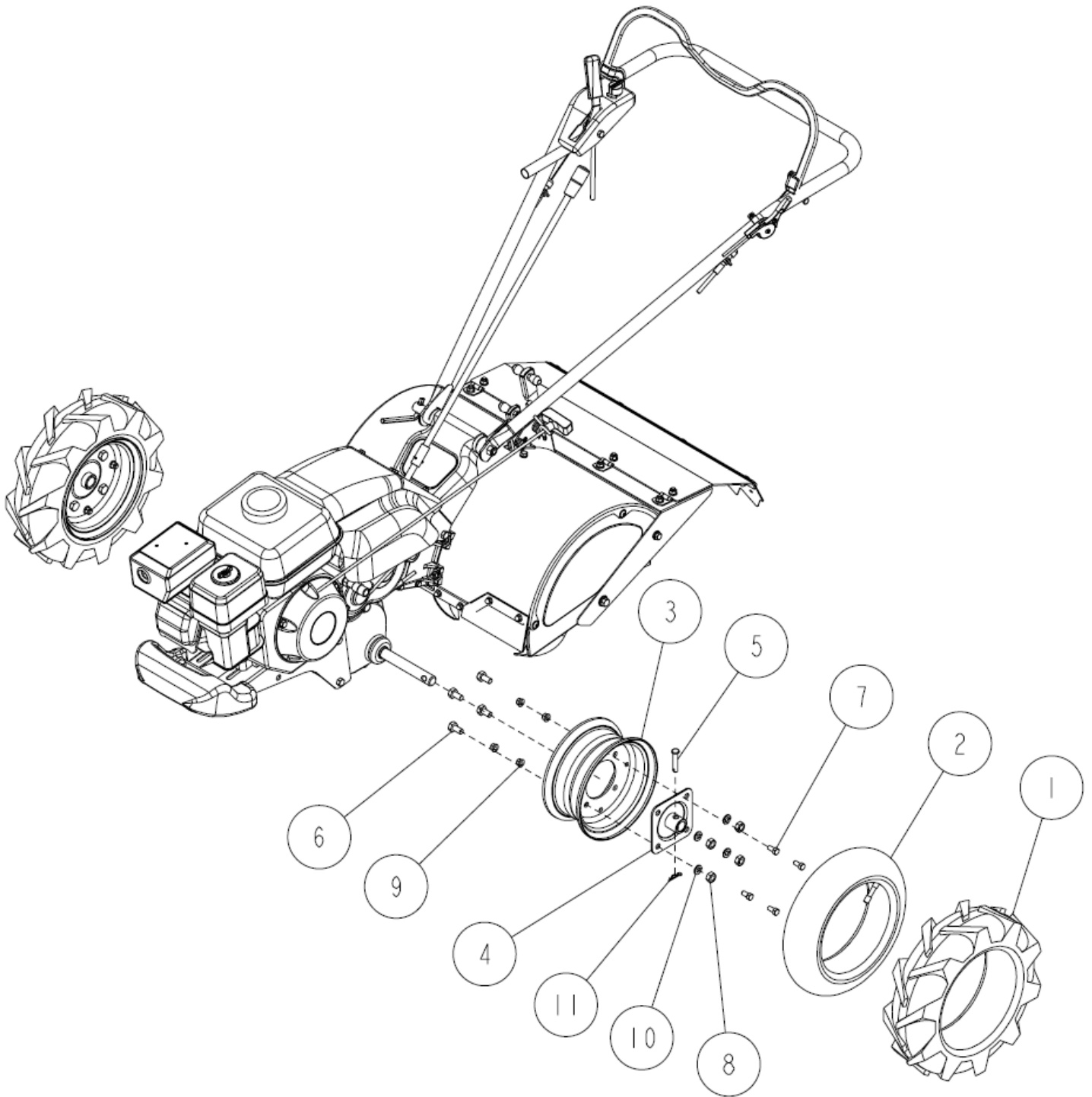
Update : February 2012

MEMO

***1) Interchangeable**

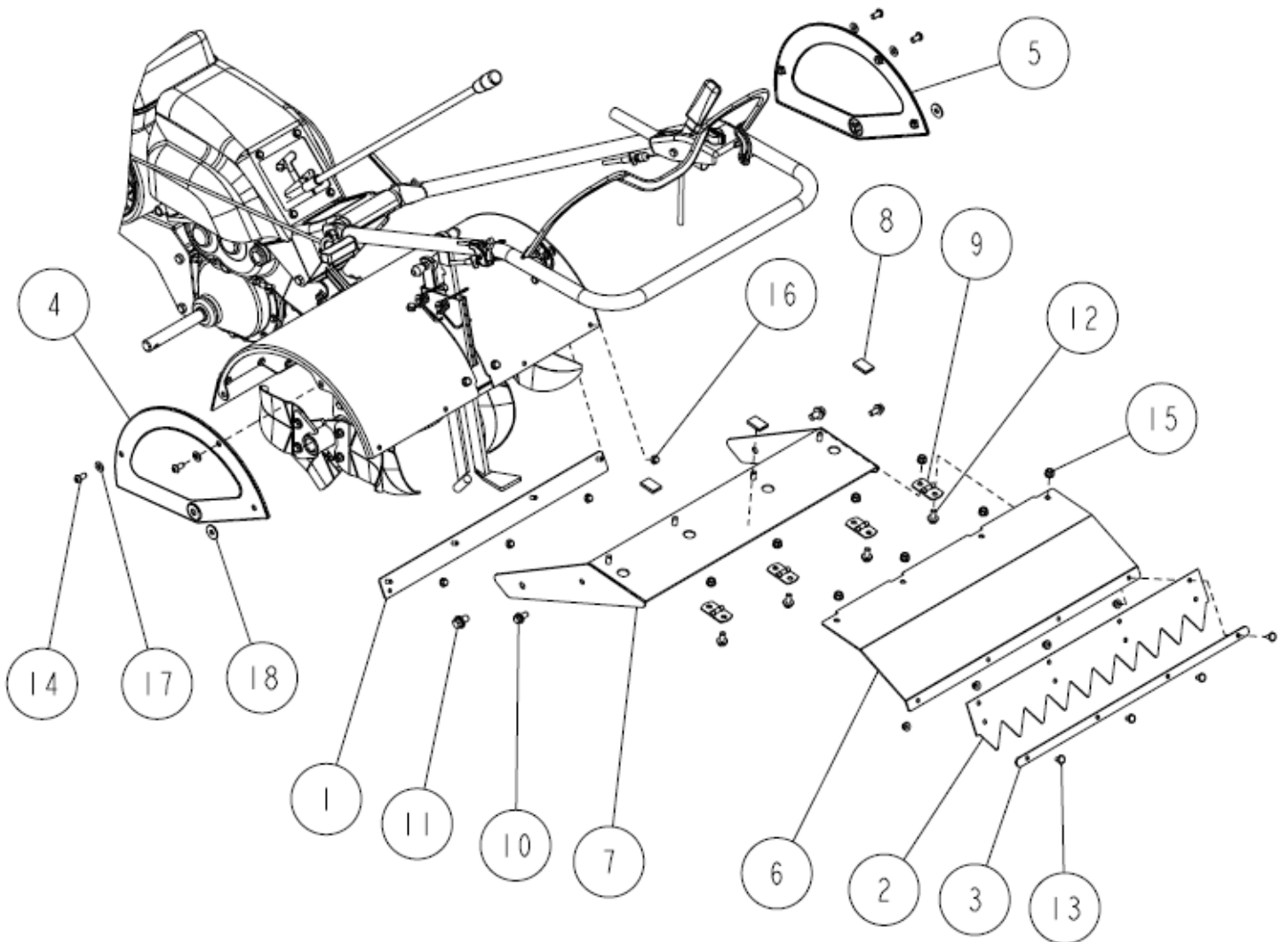
***2) Serial Number :SF600 : ~WM11K00161**

***3) Serial Number :SF600 :WM11M00162~**

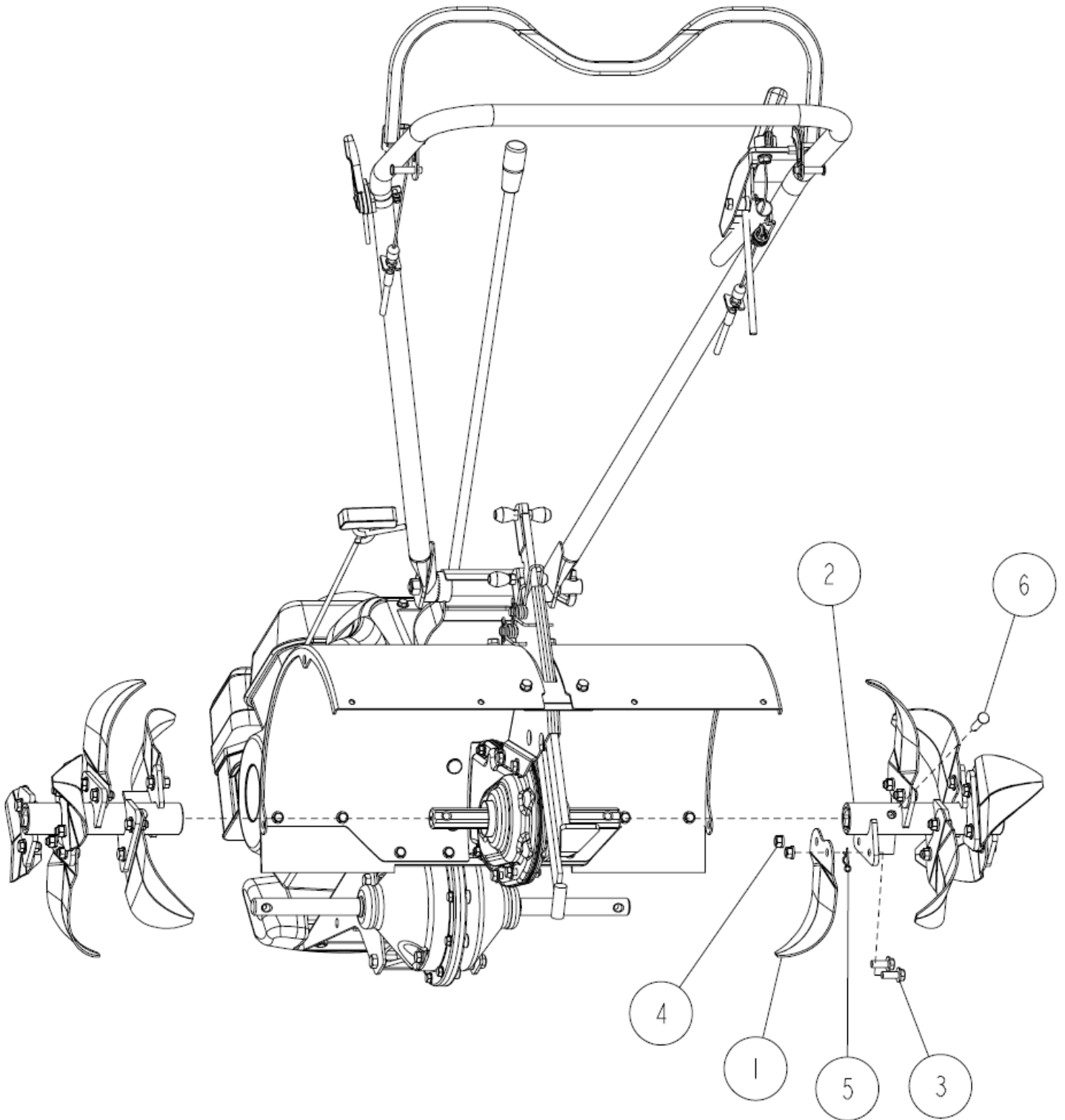


| Ref. | Parts Number | Parts Name | Quantity | Remarks |
|------|----------------|----------------------------|----------|---------|
| 1 | 80-1260-401-10 | Tire (3.50*7) | 2 | |
| 2 | 80-1260-404-00 | Tire Tube 3.50-7 | 2 | |
| 3 | 80-1260-407-00 | Wheel Assy 3.50-7 | 2 | |
| 4 | 80-1260-414-00 | Wheel Boss | 2 | |
| 5 | 83-1260-154-00 | Flat-Headed Pin 9*45 | 2 | |
| 6 | 89-1111-100202 | Hexagonal Bolt M10*20 | 8 | |
| 7 | 89-1211-080162 | Mini Hexagonal Bolt M8*16 | 8 | |
| 8 | 89-1511-100042 | Hexagonal Nut M10 | 8 | |
| 9 | 89-1543-080002 | Mini Hexagonal Nut (SW) M8 | 8 | |
| 10 | 89-1750-100002 | Spring Washer 10 | 8 | |
| 11 | 89-2131-100002 | Snap Pin 10 | 2 | |

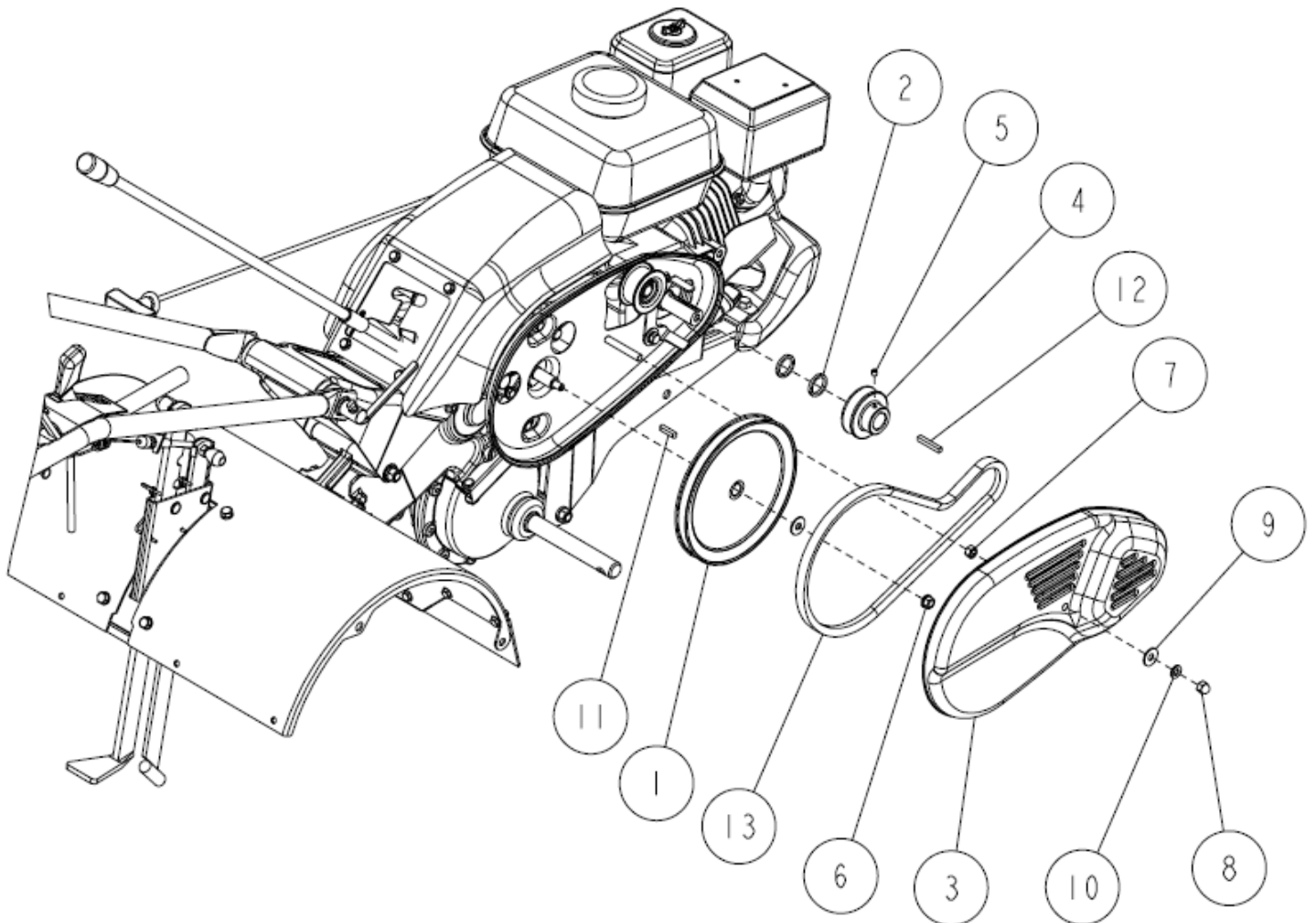
REAR COVER



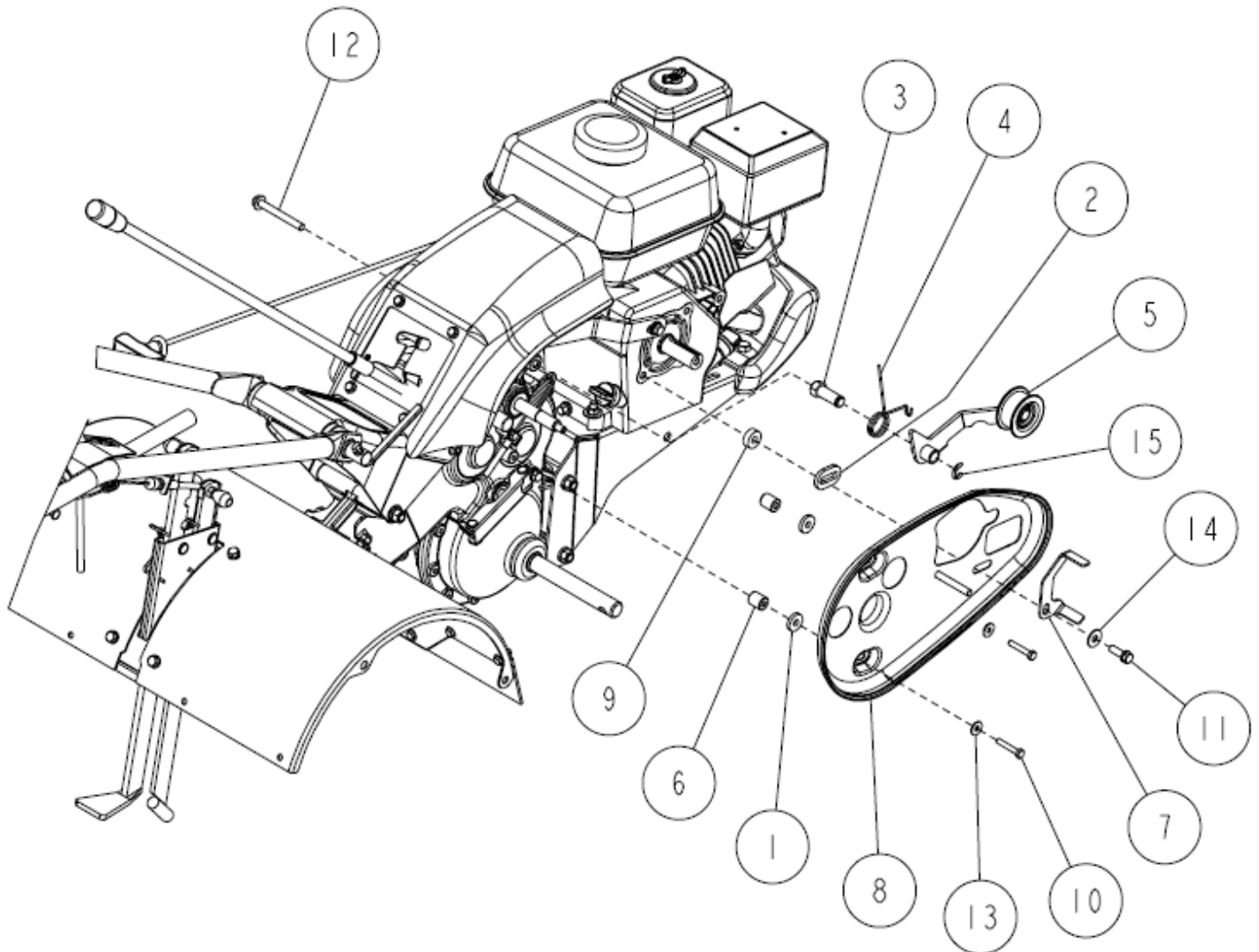
| Ref. | Parts Number | Parts Name | Quantity | Remarks |
|------|----------------|---------------------------------------|----------|---------|
| 1 | 80-1260-738-00 | Rear Plate Setting | 1 | |
| 2 | 80-1260-781-00 | Rear Flapper A | 1 | |
| 3 | 80-1260-786-00 | Flapper Holder | 1 | |
| 4 | 0016-60600 | Side Cover (L) | 1 | |
| 5 | 0016-60700 | Side Cover (R) | 1 | |
| 6 | 0016-60800 | Rotary Rear Cover | 1 | |
| 7 | 0031-61100 | Rear Cover Setting CMP | 1 | |
| 8 | 0031-61400 | Sponge Rubber | 3 | |
| 9 | 83-1806-757-00 | Hinge | 4 | |
| 10 | 89-1236-080202 | Mini Hexagonal Bolt (PWSW) M8*20 | 2 | |
| 11 | 89-1236-100202 | Mini Hexagonal Bolt (PWSW) M10*20 | 2 | |
| 12 | 89-1253-080162 | Flange Mini Hexagonal Bolt (8T) M8*16 | 4 | |
| 13 | 89-1390-060122 | Welded Bolt M6*12 | 4 | |
| 14 | 89-1433-080162 | Hexagonal Hole Bolt M8*16 | 4 | |
| 15 | 89-1543-080002 | Mini Hexagonal Nut (SW) M8 | 8 | |
| 16 | 89-1581-060042 | Flange Cap Nut M6 | 8 | |
| 17 | 89-1711-080002 | Flat Washer 8 | 4 | |
| 18 | 89-1714-080002 | Flat Washer 8 | 2 | |



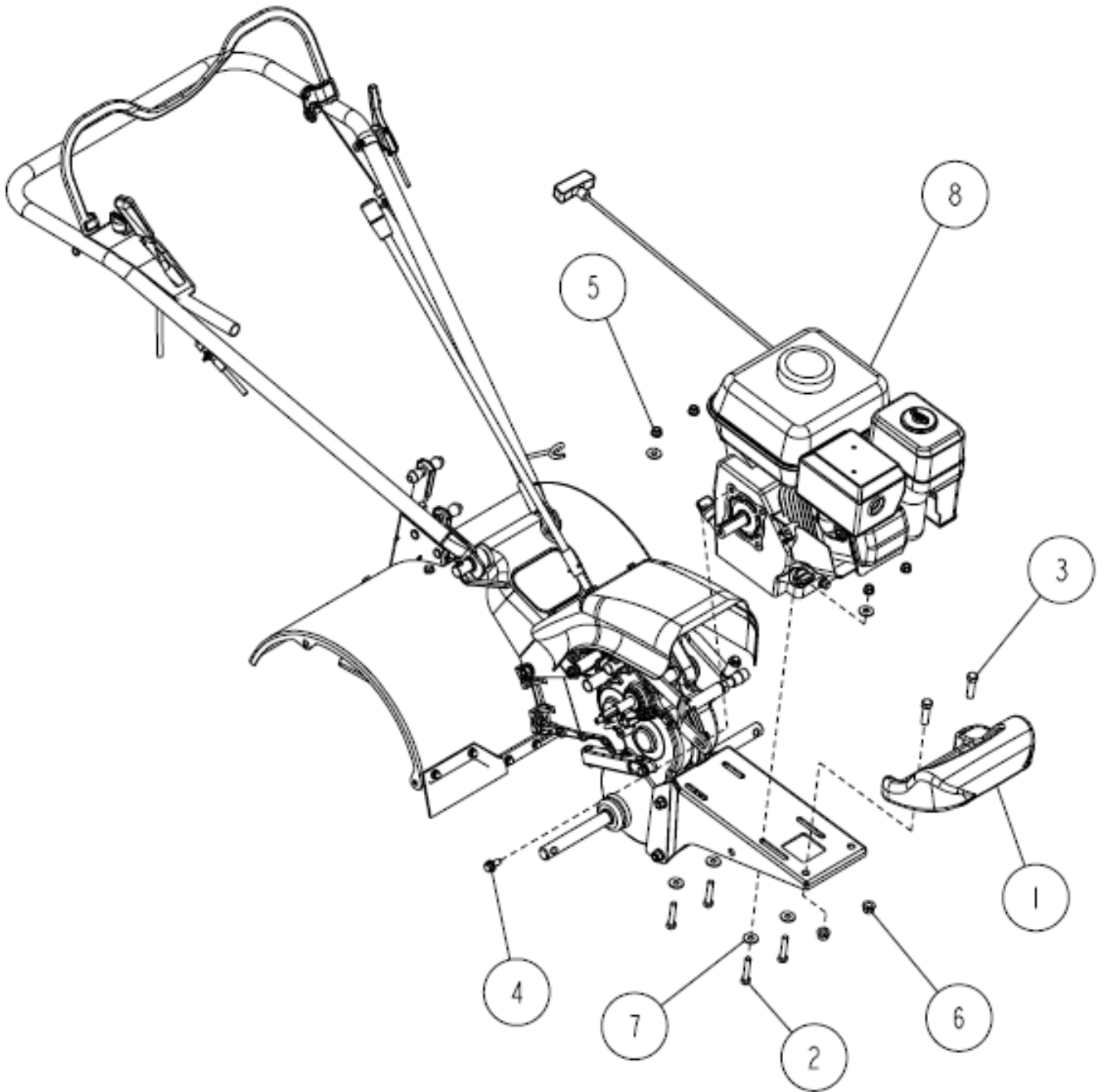
| Ref. | Parts Number | Parts Name | Quantity | Remarks |
|------|----------------|---------------------------------------|----------|---------|
| 1 | 80-1260-821-00 | Tine for SF50 | 12 | |
| 2 | 0031-50100 | Tine Shaft CMP | 2 | |
| 3 | 89-1253-080202 | Flange Mini Hexagonal Bolt (8T) M8*20 | 24 | |
| 4 | 89-1543-080002 | Mini Hexagonal Nut (SW) M8 | 24 | |
| 5 | 89-2131-080002 | Snap Pin 8 | 2 | |
| 6 | 89-2191-080452 | Round Head Pin 8*45 | 2 | |



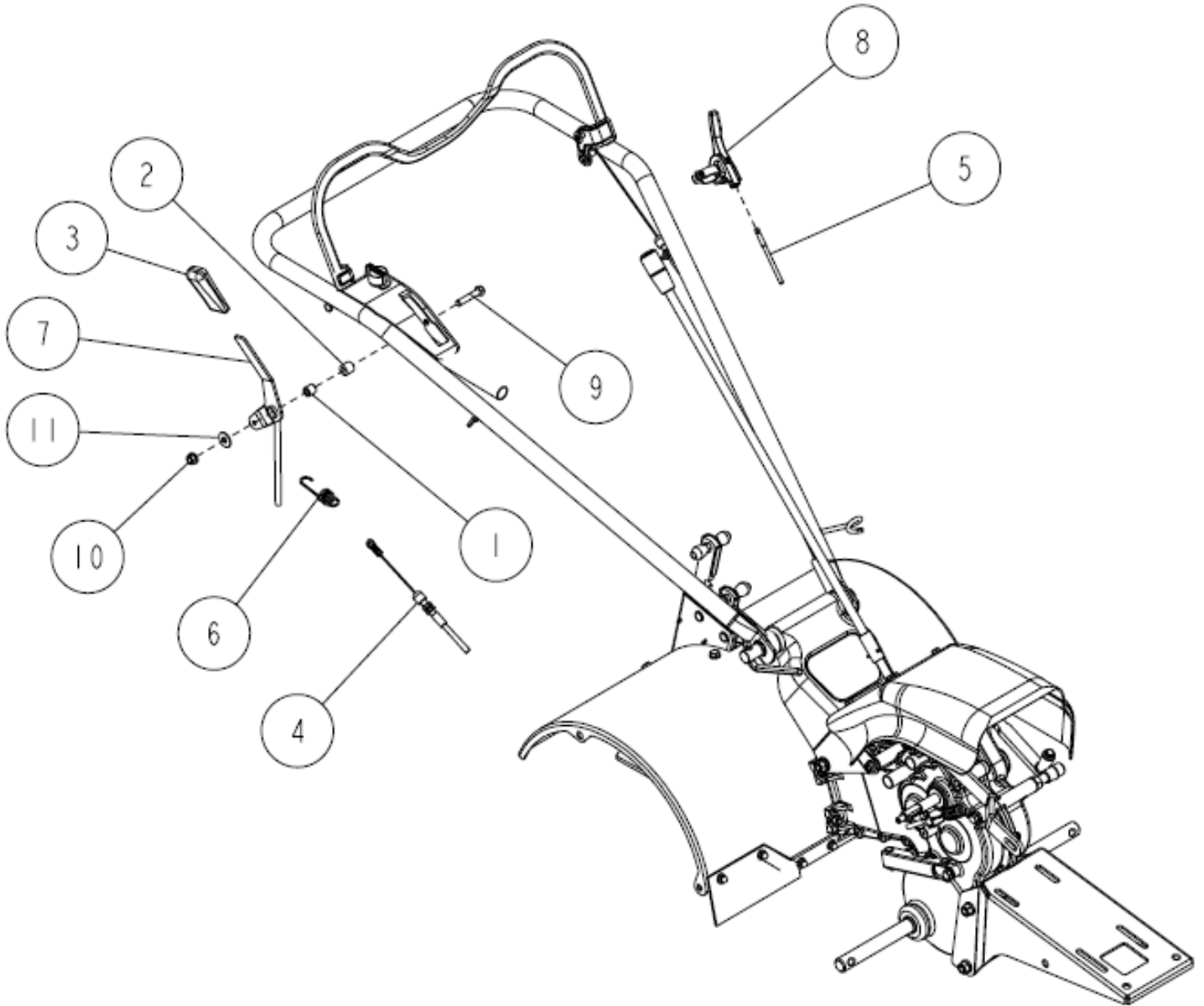
| Ref. | Parts Number | Parts Name | Quantity | Remarks |
|------|----------------|----------------------------|----------|---------|
| 1 | 80-1260-521-00 | Transmission Pulley | 1 | |
| 2 | 80-1321-515-10 | Engine Pulley Collar 3.5L | 2 | |
| 3 | 0031-40200 | Belt Cover Out | 1 | |
| 4 | 0031-40600 | Engine Pulley (H.M.K) | 1 | |
| 5 | 89-1172-060065 | Hexagonal Hole Screw M6*6 | 1 | |
| 6 | 89-1543-080002 | Mini Hexagonal Nut (SW) M8 | 1 | |
| 7 | 89-1561-080002 | Mini Hexagonal U Nut M8 | 1 | |
| 8 | 89-1671-080042 | Mini Cap Nut M8 | 1 | |
| 9 | 89-1713-080002 | Flat Washer 8 (large) | 2 | |
| 10 | 89-1750-080002 | Spring Washer 8 | 1 | |
| 11 | 89-2150-050250 | Key 5*25 (round) | 1 | |
| 12 | 89-2152-050350 | Key 5*35 | 1 | |
| 13 | 89-6122-003202 | V Belt SA-32 (W400P) | 1 | |



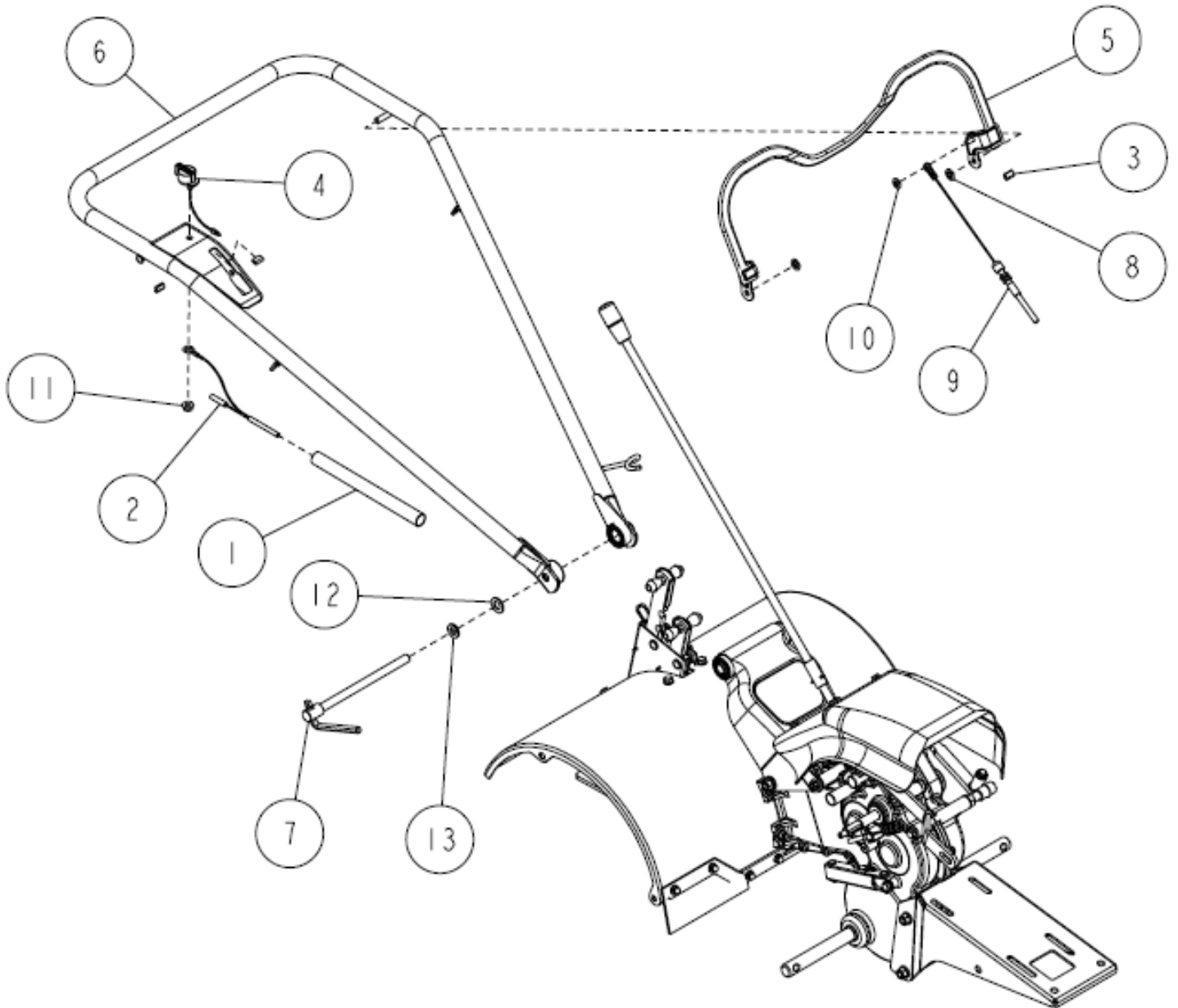
| Ref. | Parts Number | Parts Name | Quantity | Remarks |
|------|-----------------|---------------------------------------|----------|---------|
| 1 | 80-1035-988-00 | Spacer Rubber | 2 | |
| 2 | 80-1260-501B-00 | Spacer | 1 | |
| 3 | 80-1260-535-00 | Tension Arm Shaft | 1 | |
| 4 | 80-1260-552-00 | Spring | 1 | |
| 5 | 0031-40300 | Tension Arm CMP | 1 | |
| 6 | 0031-40400 | Setting Collar for Belt Cover In | 2 | |
| 7 | 0031-40500 | Belt Holder | 1 | |
| 8 | 0031-41100 | Belt Cover In | 1 | |
| 9 | 0031-70610 | Belt Cover Spacer 8.5*22*8 | 1 | |
| 10 | 89-1113-060352 | Hexagonal Bolt (8T) M6*35 | 2 | |
| 11 | 89-1232-080252 | Mini Hexagonal Bolt (SW) M8*25 | 1 | |
| 12 | 89-1253-080702 | Flange Mini Hexagonal Bolt (8T) M8*70 | 1 | |
| 13 | 89-1713-060002 | Flat Washer 6 (large) | 2 | |
| 14 | 89-1713-080002 | Flat Washer 8 (large) | 1 | |
| 15 | 89-2521-000100 | E Type Ring 10 | 1 | |



| Ref. | Parts Number | Parts Name | Quantity | Remarks |
|------|----------------|----------------------------------|----------|---------|
| 1 | 0031-20210 | Balance Weight | 1 | |
| 2 | 89-1213-080402 | Mini Hexagonal Bolt (8T) M8*40 | 4 | |
| 3 | 89-1213-100352 | Mini Hexagonal Bolt (8T) M10*35 | 2 | |
| 4 | 89-1239-080202 | Mini Hexagonal Bolt (PWSW) M8*20 | 1 | |
| 5 | 89-1543-080002 | Mini Hexagonal Nut (SW) M8 | 4 | |
| 6 | 89-1543-100002 | Mini Hexagonal Nut (SW) M10 | 2 | |
| 7 | 89-1713-080002 | Flat Washer 8 (large) | 6 | |
| 8 | 9006-0171 | GX160U1-S1CY | 1 | *2) |
| | 9006-0371 | GX160UT2-S1CY | 1 | *1) *3) |

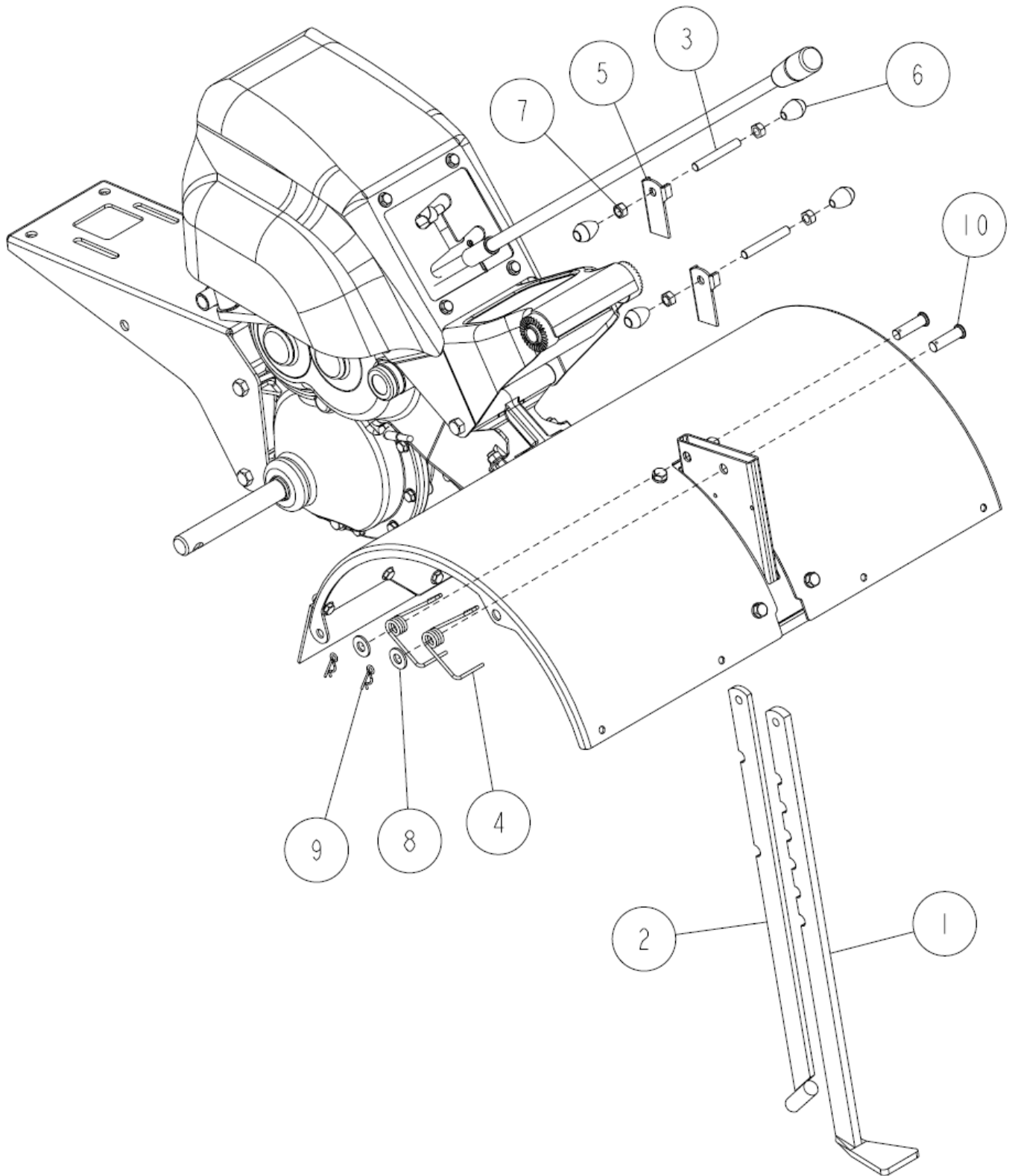


| Ref. | Parts Number | Parts Name | Quantity | Remarks |
|------|----------------|-------------------------------------|----------|---------|
| 1 | 80-1020-270-00 | Inner Collar | 1 | |
| 2 | 80-1260-234-10 | Differential Lock Lever Collar | 1 | |
| 3 | 80-1515-262-00 | Arm Grip (Black) | 1 | |
| 4 | 0016-73100 | Differential Lock Wire | 1 | |
| 5 | 0023-72500 | Throttle Wire | 1 | |
| 6 | 0031-10700 | Spring for Differential Lock Return | 1 | |
| 7 | 0031-10800 | Differential Lock Lever | 1 | |
| 8 | 83-1260-461-00 | Throttle Lever | 1 | |
| 9 | 89-1213-080402 | Mini Hexagonal Bolt (8T) M8*40 | 1 | |
| 10 | 89-1543-080002 | Mini Hexagonal Nut (SW) M8 | 1 | |
| 11 | 89-1713-080002 | Flat Washer 8 (large) | 1 | |

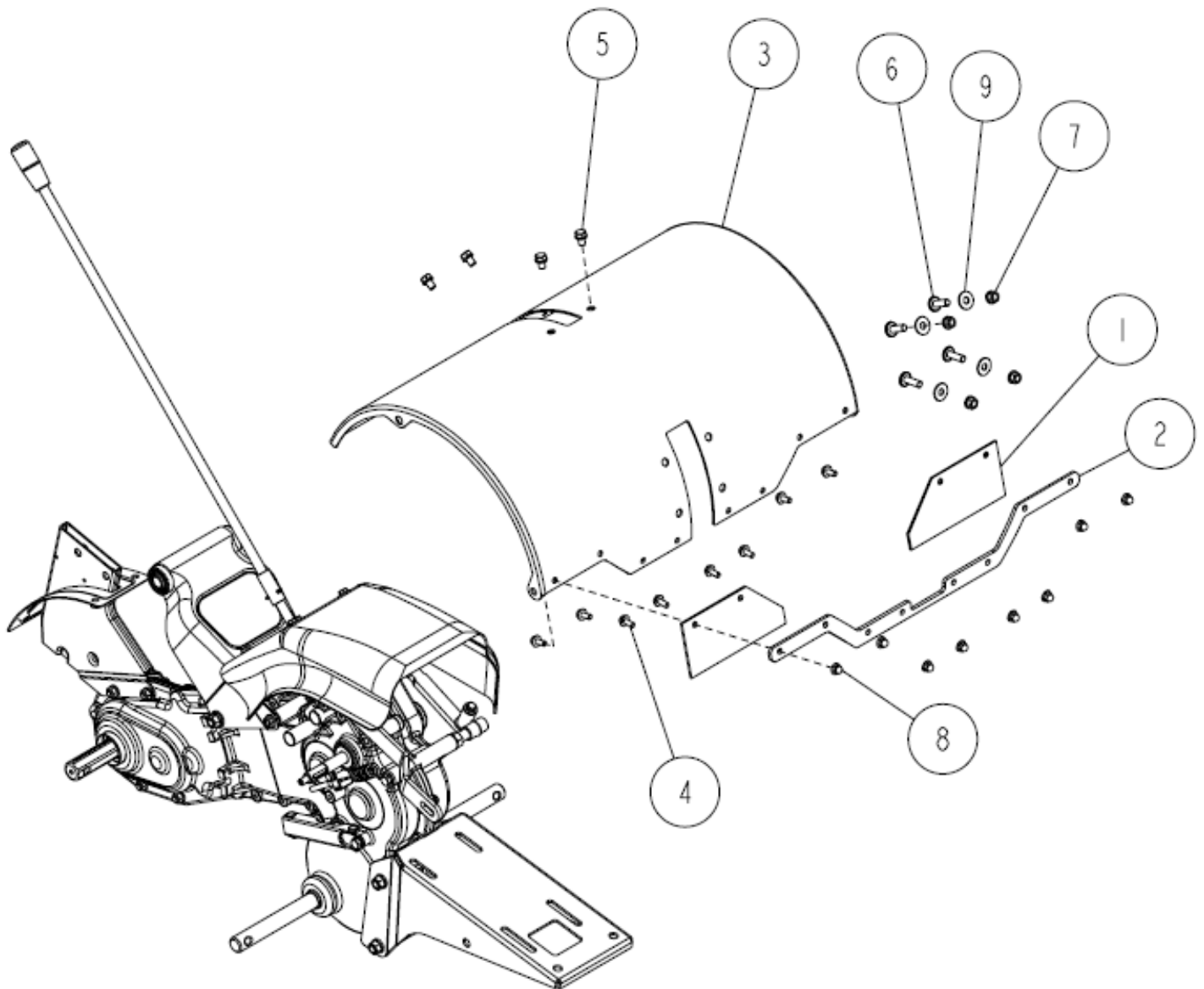


| Ref. | Parts Number | Parts Name | Quantity | Remarks |
|------|----------------|------------------------------|----------|---------|
| 1 | 80-1260-225-00 | Tube 10-200L | 1 | |
| 2 | 80-1260-288-20 | Engine Stop Wire Harness | 1 | |
| 3 | 0016-10300 | Rubber 15L | 3 | |
| 4 | 0016-72500 | Engine Stop Switch | 1 | |
| 5 | 0023-10600 | Clutch Lever CMP | 1 | |
| 6 | 0031-12100 | Handle CMP | 1 | |
| 7 | 0046-70300 | Flexible Handle M12*185 | 1 | |
| 8 | 83-1020-177-00 | Push Nut 8 | 2 | |
| 9 | 83-1260-932-00 | Main Clutch Wire | 1 | |
| 10 | 83-1515-177-00 | Push Nut 6 | 1 | |
| 11 | 89-1631-080042 | Flange Mini Hexagonal Nut M8 | 1 | |
| 12 | 89-1714-120002 | Flat Washer 12 | 1 | |
| 13 | 89-1750-120002 | Spring Washer 12 | 1 | |

ROTARY COVER

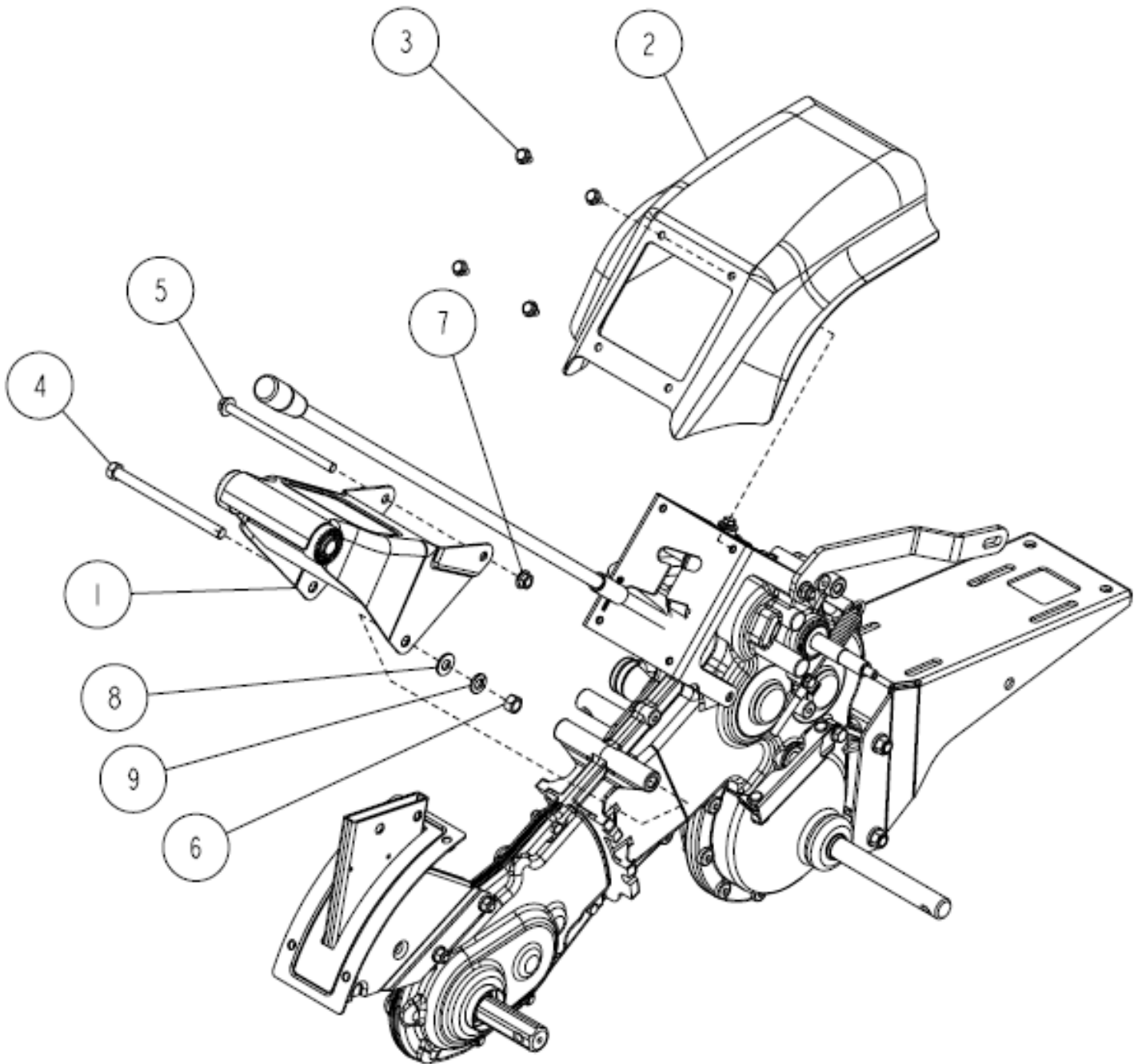


| Ref. | Parts Number | Parts Name | Quantity | Remarks |
|------|----------------|----------------------------------|----------|---------|
| 1 | 80-1260-743-10 | Bar for Tilling Depth Adjustment | 1 | |
| 2 | 80-1260-744-10 | Resistant Bar | 1 | |
| 3 | 80-1260-745-00 | Screw M8*58 | 2 | |
| 4 | 80-1260-746-00 | Spring | 2 | |
| 5 | 0023-60100 | Resistant Bar Stopper | 2 | |
| 6 | 83-1260-423-00 | Grip Rubber | 4 | |
| 7 | 89-1611-080042 | Mini Hexagonal Nut M8 | 4 | |
| 8 | 89-1714-100002 | Flat Washer 10 | 2 | |
| 9 | 89-2131-100002 | Snap Pin 10 | 2 | |
| 10 | 89-2181-100352 | Flat Head Pin 10*35 | 2 | |



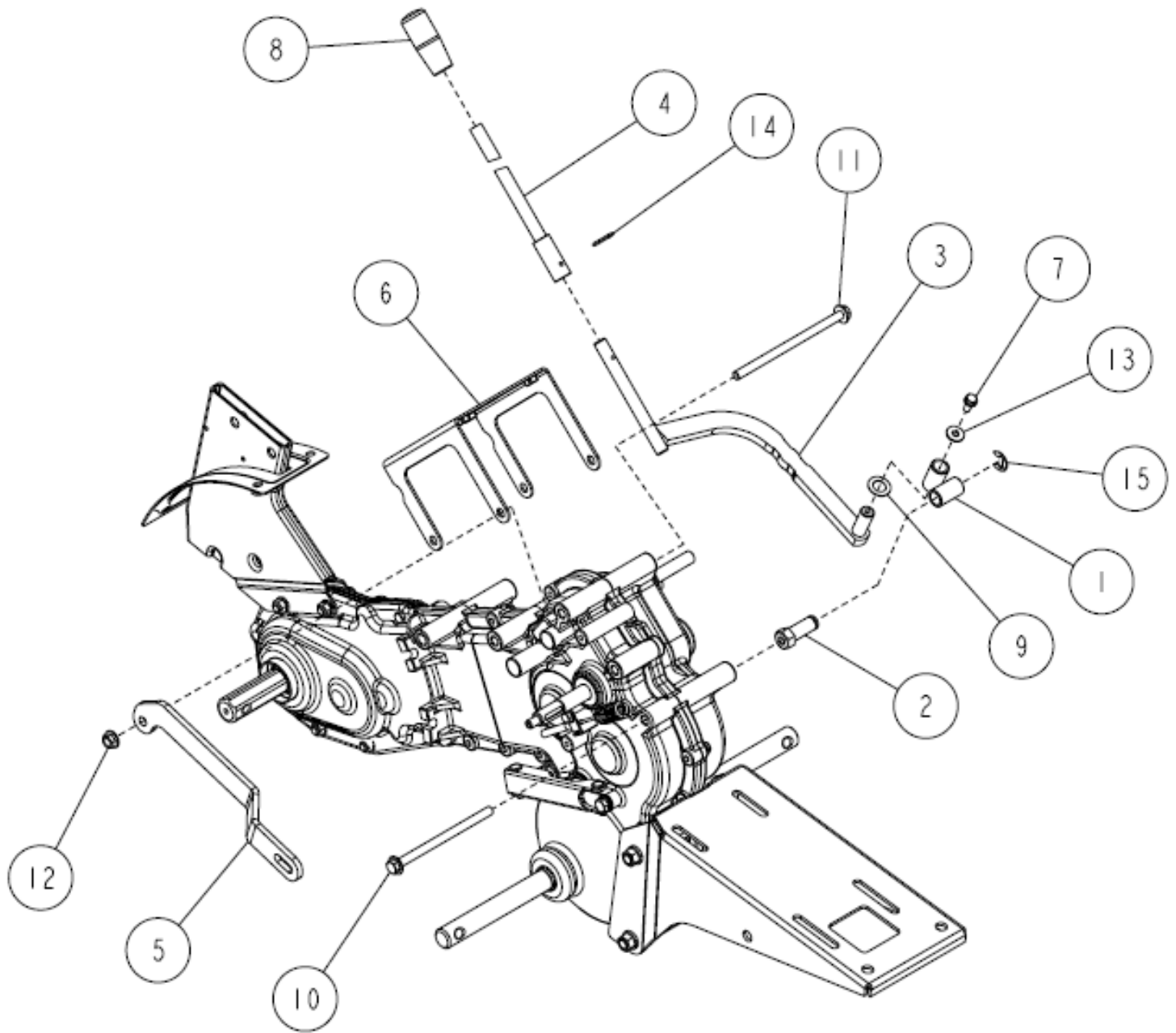
| Ref. | Parts Number | Parts Name | Quantity | Remarks |
|------|----------------|------------------------------------|----------|---------|
| 1 | 0016-60500 | Front Flapper | 2 | |
| 2 | 0031-60210 | Rotary Cover Reinforcement (Front) | 1 | |
| 3 | 0031-61200 | Rotary Cover | 1 | |
| 4 | 89-1137-060152 | Hexagonal Bolt (PW) M6*15 | 8 | |
| 5 | 89-1232-080122 | Mini Hexagonal Bolt (SW) M8*12 | 4 | |
| 6 | 89-1390-080252 | Welded Bolt M8*25 | 4 | |
| 7 | 89-1543-080002 | Mini Hexagonal Nut (SW) M8 | 4 | |
| 8 | 89-1581-060042 | Flange Cap Nut M6 | 8 | |
| 9 | 89-1713-080002 | Flat Washer 8 (large) | 4 | |

CHANGE LEVER

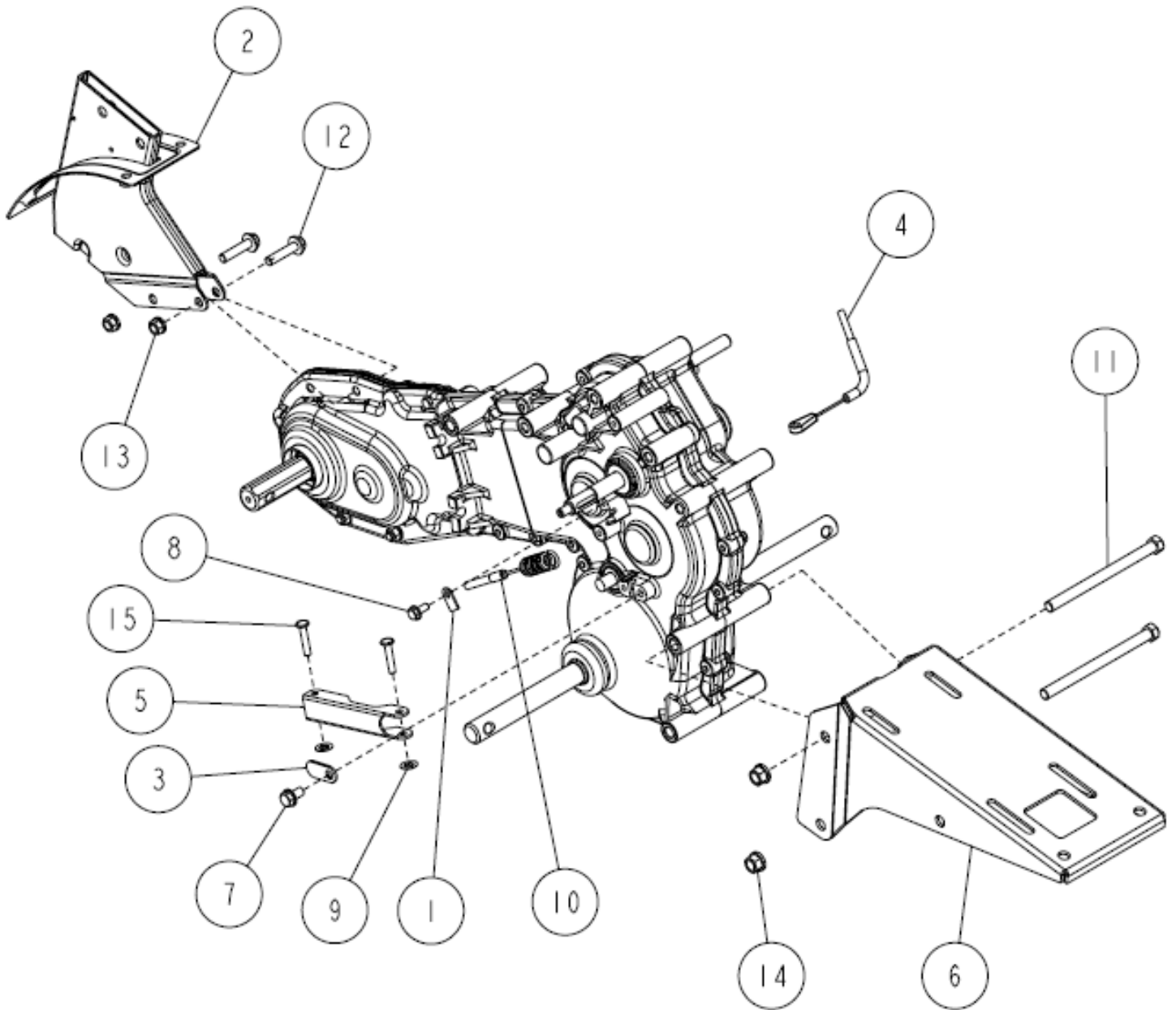


| Ref. | Parts Number | Parts Name | Quantity | Remarks |
|------|----------------|--|----------|---------|
| 1 | 0023-10300 | Bracket for Handle | 1 | |
| 2 | 0031-10410 | Change Guide Cover | 1 | |
| 3 | 89-1137-060122 | Hexagonal Bolt (PW) M6*12 | 4 | |
| 4 | 89-1213-101352 | Mini Hexagonal Bolt (8T) M10*135 | 1 | |
| 5 | 89-1253-081353 | Flange Mini Hexagonal Bolt (8T) M8*135 | 1 | |
| 6 | 89-1611-100042 | Mini Hexagonal Nut M10 | 1 | |
| 7 | 89-1631-080042 | Flange Mini Hexagonal Nut M8 | 1 | |
| 8 | 89-1714-100002 | Flat Washer 10 | 1 | |
| 9 | 89-1750-100002 | Spring Washer 10 | 1 | |

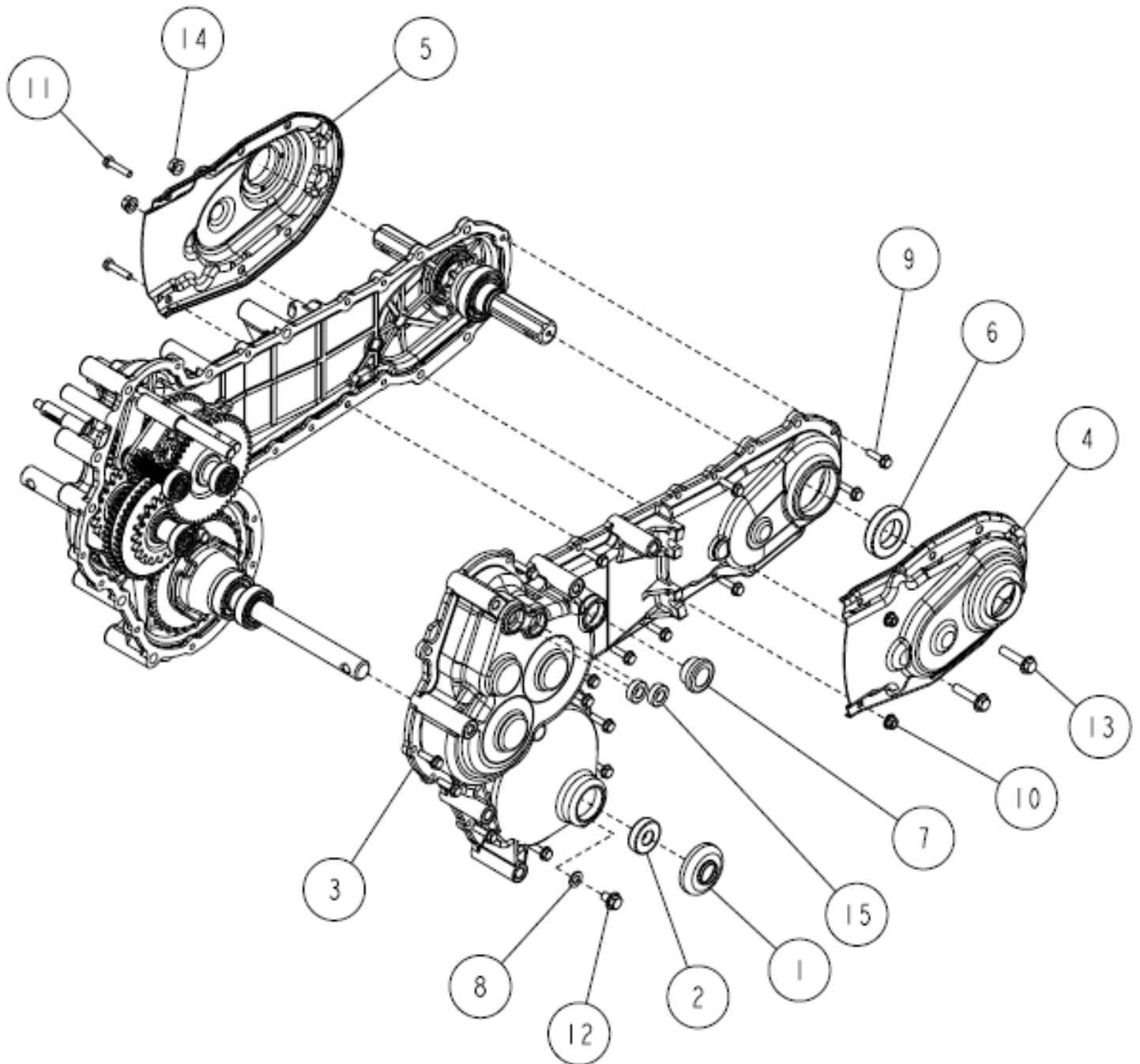
CHANGE LEVER



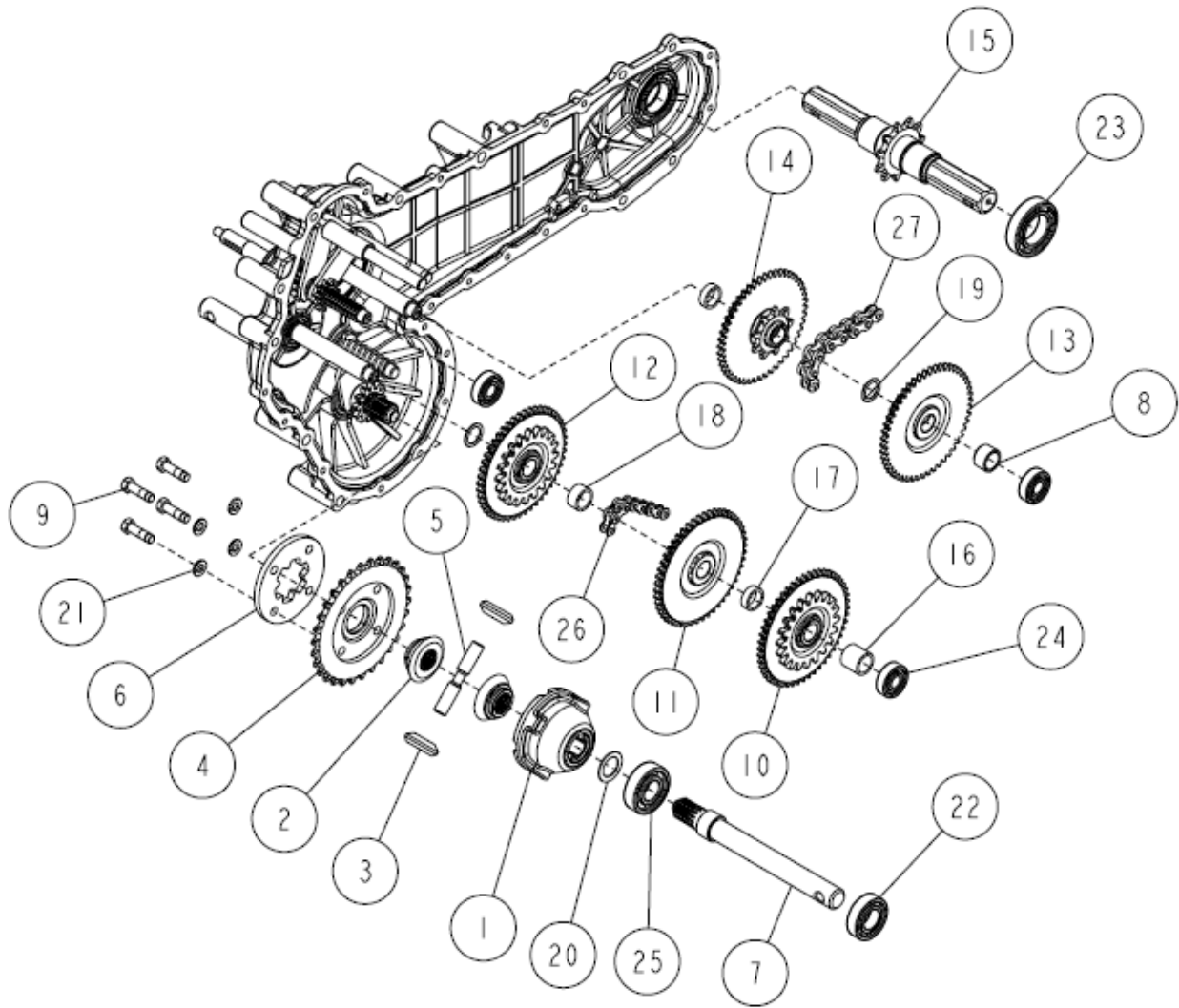
| Ref. | Parts Number | Parts Name | Quantity | Remarks |
|------|----------------|--|----------|---------|
| 1 | 80-1260-266-00 | Change Lever Boss | 1 | |
| 2 | 80-1260-535-00 | Tension Arm Shaft | 1 | |
| 3 | 0046-10200 | Change Lever CMP | 1 | |
| 4 | 0031-10600 | Change Lever Arm CMP | 1 | |
| 5 | 0031-20300 | Engine Stay | 1 | |
| 6 | 0046-10100 | Change Guide CMP | 1 | |
| 7 | 83-1515-112-00 | Hexagonal Bolt (SW) M6*14 (Lock) | 1 | |
| 8 | 83-1711-426-00 | Lever Grip 12 | 1 | |
| 9 | 83-1754-329-00 | Washer 13*22*1.0 | 1 | |
| 10 | 89-1253-081253 | Flange Mini Hexagonal Bolt (8T) M8*125 | 1 | |
| 11 | 89-1253-081403 | Flange Mini Hexagonal Bolt (8T) M8*140 | 1 | |
| 12 | 89-1631-080042 | Flange Mini Hexagonal Nut M8 | 1 | |
| 13 | 89-1713-060002 | Flat Washer 6 (large) | 1 | |
| 14 | 89-2120-300252 | Split Pin 3*25 | 1 | |
| 15 | 89-2521-000100 | E Type Ring 10 | 1 | |



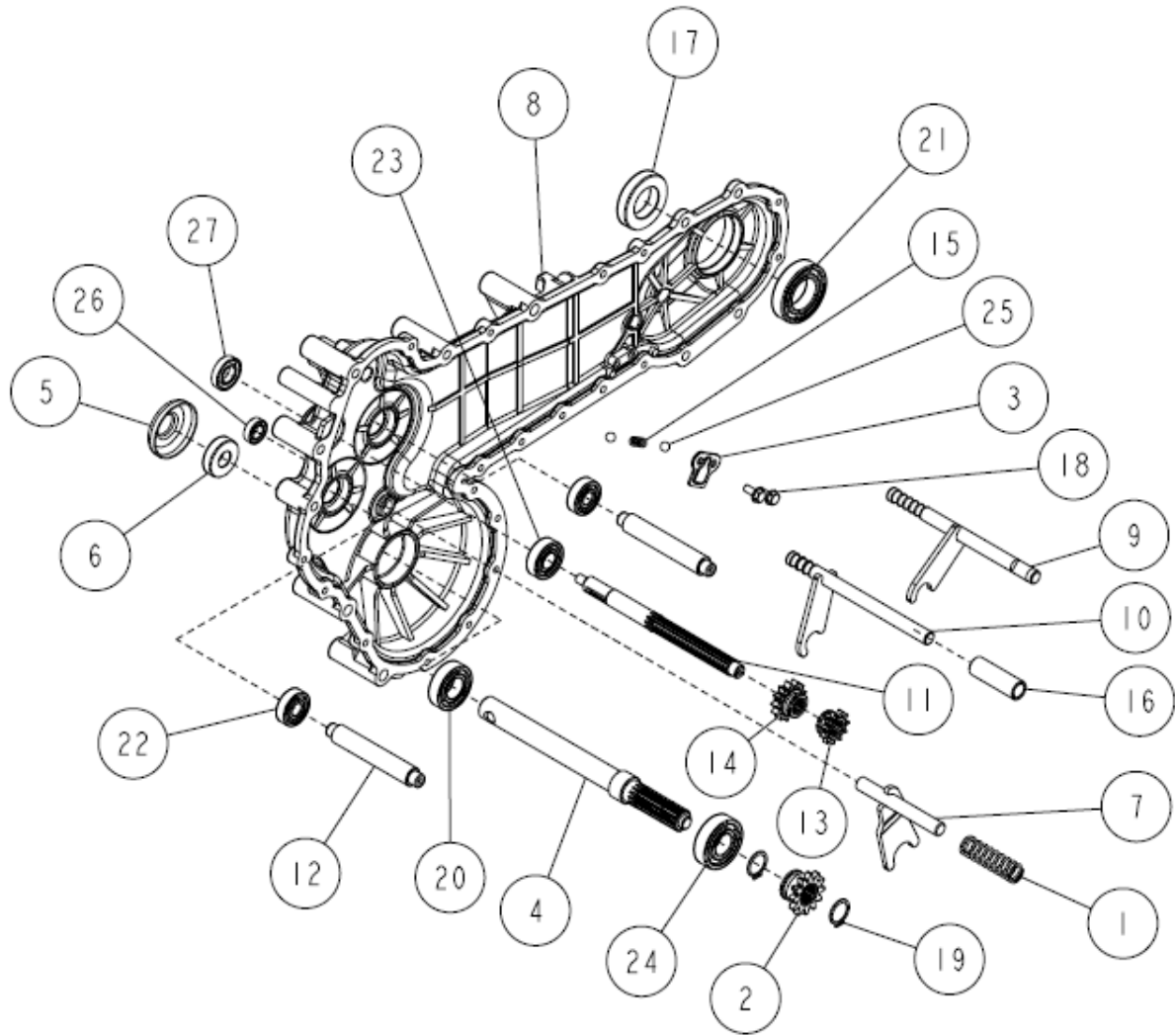
| Ref. | Parts Number | Parts Name | Quantity | Remarks |
|------|----------------|---------------------------------------|----------|---------|
| 1 | 80-1515-186-00 | Wire Holder | 1 | |
| 2 | 0016-61100 | Case | 1 | |
| 3 | 0023-00200 | Differential Lock Arm Holder | 1 | |
| 4 | 0025-70200 | Differential Lock Wire | 1 | |
| 5 | 0031-10900 | Differential Lock Arm | 1 | |
| 6 | 0031-21100 | Engine Base | 1 | |
| 7 | 0031-70800 | Tapping Bolt M8*14 | 1 | |
| 8 | 83-1020-148-00 | Tapping Bolt M6*14 | 1 | |
| 9 | 83-1515-177-00 | Push Nut 6 | 2 | |
| 10 | 83-1260-931-10 | Main Clutch Wire | 1 | |
| 11 | 89-1213-101352 | Mini Hexagonal Bolt (8T) M10*135 | 2 | |
| 12 | 89-1253-080352 | Flange Mini Hexagonal Bolt (8T) M8*35 | 2 | |
| 13 | 89-1543-080002 | Mini Hexagonal Nut (SW) M8 | 2 | |
| 14 | 89-1543-100002 | Mini Hexagonal Nut (SW) M10 | 2 | |
| 15 | 89-2181-060307 | Flat Head Pin 6*30 | 2 | |



| Ref. | Parts Number | Parts Name | Quantity | Remarks |
|------|----------------|---------------------------------------|----------|---------|
| 1 | 0016-01100 | Axle Dust Cover | 1 | |
| 2 | 0021-71700 | Oil Seal MUD 20.35.10 | 1 | |
| 3 | 0031-00100 | Transmission Case (L) | 1 | |
| 4 | 0031-01800 | Protection Cover (L) CMP | 1 | |
| 5 | 0031-01900 | Protection Cover (R) CMP | 1 | |
| 6 | 0031-70100 | Oil Seal MUD 30.50.11 | 1 | |
| 7 | 0031-70200 | Oil Cap 26 | 1 | |
| 8 | 83-1415-348-00 | Packing 8.5*16*1.3 | 1 | |
| 9 | 83-1515-148-00 | Tapping Bolt M6*22 | 17 | |
| 10 | 83-1712-194-00 | Terminal Nut M6 | 2 | |
| 11 | 89-1113-060282 | Hexagonal Bolt (8T) M6*28 | 2 | |
| 12 | 89-1251-080123 | Flange Mini Hexagonal Bolt M8*12 | 1 | |
| 13 | 89-1253-080352 | Flange Mini Hexagonal Bolt (8T) M8*35 | 2 | |
| 14 | 89-1543-080002 | Mini Hexagonal Nut (SW) M8 | 2 | |
| 15 | 89-5121-122207 | Oil Seal UE 12.22.7 | 2 | |



| Ref. | Parts Number | Parts Name | Quantity | Remarks |
|------|----------------|--------------------------------|----------|---------|
| 1 | 80-1260-151-00 | Differential Lock Case | 1 | |
| 2 | 80-1260-152-00 | Differential Gear 14T | 2 | |
| 3 | 80-1260-153-00 | Pinion 10T Gear | 2 | |
| 4 | 80-1260-154-00 | Shaft Sprocket 30T | 1 | |
| 5 | 80-1260-155-10 | Differential Pinion Shaft | 1 | |
| 6 | 80-1260-156-00 | Differential Clutch Men | 1 | |
| 7 | 0016-00100 | Shaft (L) | 1 | |
| 8 | 0017-02300 | Shaft Collar B 14L | 1 | |
| 9 | 0023-72300 | Hexagonal Bolt(8T) M8*28(Meck) | 4 | |
| 10 | 0031-00900 | Second Shaft 20-50T | 1 | |
| 11 | 0031-01100 | Second Shaft 9TSP-50T | 1 | |
| 12 | 0031-01200 | Second Shaft 20-48T | 1 | |
| 13 | 0031-01300 | Third Shaft 50-20-13T | 1 | |
| 14 | 0031-01400 | Third Shaft 9TSP-48T-20T | 1 | |
| 15 | 0031-01500 | Rotary Shaft CMP | 1 | |
| 16 | 0031-01600 | Shaft Collar 21L | 1 | |
| 17 | 0031-02300 | Shaft Collar 7L | 2 | |
| 18 | 0031-02400 | Shaft Collor 11L | 1 | |
| 19 | 83-1017-365-10 | Thrust Washer 17*23*1.0 | 2 | |
| 20 | 83-1310-371-00 | Thrust Washer 20*30*1.0 | 1 | |
| 21 | 89-1750-080002 | Spring Washer 8 | 4 | |
| 22 | 89-3111-060044 | Bearing 6004 | 1 | |
| 23 | 89-3111-060064 | Bearing 6006 | 1 | |
| 24 | 89-3111-062014 | Bearing 6201 | 3 | |
| 25 | 89-3111-062044 | Bearing 6204 | 1 | |
| 26 | 89-6513-420042 | Chain #420-42L | 1 | |
| 27 | 89-6513-520060 | Chain #520-60L | 1 | |



| Ref. | Parts Number | Parts Name | Quantity | Remarks |
|------|----------------|--------------------------------|----------|---------|
| 1 | 80-1260-117-00 | Spring | 1 | |
| 2 | 80-1260-148-00 | Differential Clutch On | 1 | |
| 3 | 80-1260-161-00 | Shift Spring Holder | 1 | |
| 4 | 0016-00200 | Shaft (R) | 1 | |
| 5 | 0016-01100 | Axle Dust Cover | 1 | |
| 6 | 0021-71700 | Oil Seal MUD 20.35.10 | 1 | |
| 7 | 0023-10900 | Differential Lock Fork Shaft | 1 | |
| 8 | 0031-00200 | Transmission Case (R) | 1 | |
| 9 | 0031-00300 | Main Shift Fork Shaft CMP | 1 | |
| 10 | 0031-00400 | Rotary Shift Fork Shaft CMP | 1 | |
| 11 | 0031-00500 | Main Shaft | 1 | |
| 12 | 0031-00600 | Middle Shaft | 2 | |
| 13 | 0031-00700 | Shift Gear 11T | 1 | |
| 14 | 0031-00800 | Rotary Shift Gear 13T | 1 | |
| 15 | 0031-01700 | Shift Spring | 1 | |
| 16 | 0031-02200 | Rotary Shift Fork Shaft Collar | 1 | |
| 17 | 0031-70100 | Oil Seal MUD 30.50.11 | 1 | |
| 18 | 83-1020-148-00 | Tapping Bolt M6*14 | 2 | |
| 19 | 89-2511-000200 | Snap Ring (S20) | 2 | |
| 20 | 89-3111-060044 | Bearing 6004 | 1 | |
| 21 | 89-3111-060064 | Bearing 6006 | 1 | |
| 22 | 89-3111-062014 | Bearing 6201 | 2 | |
| 23 | 89-3111-062024 | Bearing 6202 | 1 | |
| 24 | 89-3111-062044 | Bearing 6204 | 1 | |
| 25 | 89-3410-080000 | Steel Ball 8.0 | 2 | |
| 26 | 89-5121-122207 | Oil Seal UE 12.22.7 | 1 | |
| 27 | 89-5121-153007 | Oil Seal UE 15.30.7 | 1 | |

①



80-1260-939-00

②



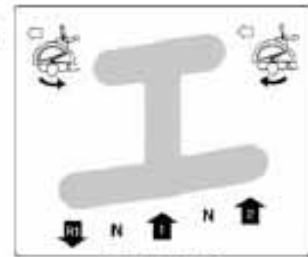
80-1260-937-00

③



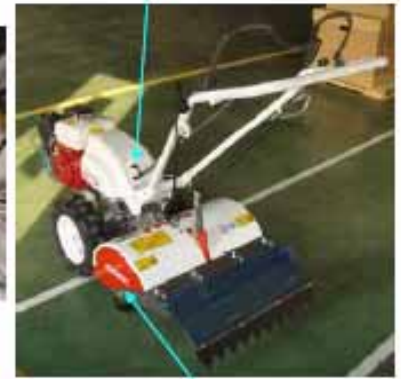
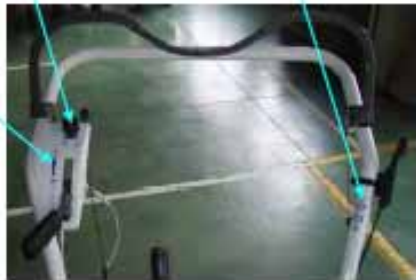
0214-72100

⑰



0031-72100

④



80-1417-906-10

⑤



0031-73500

⑥



0031-72200

⑦



80-1488-928-10



80-1260-903-00

⑱



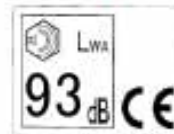
80-1260-905-00



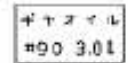
0031-73300

⑱

⑭



0031-72800



83-1141-926-00

⑧

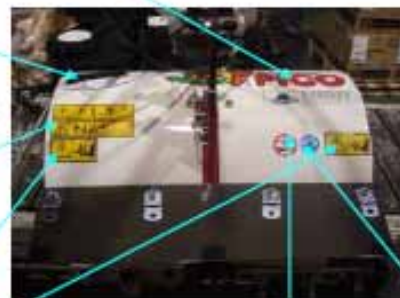


0031-72600



0031-72500

⑨



0223-76100

⑩

⑪



83-1260-909-10

⑫



0223-72910

⑬



0215-8320

Serial Number



| Ref. | Parts Number | Parts Name | Quantity | Remarks |
|------|----------------|-----------------------------------|----------|---------|
| 1 | 80-1260-939-00 | Label, Engine Switch | 1 | |
| 2 | 80-1260-937-00 | Main Clutch Mark | 1 | |
| 3 | 0214-72100 | Label, Caution for Engine etc | 1 | |
| 4 | 80-1417-906-10 | Label, Differential Lock | 1 | |
| 5 | 0031-73500 | Label, Belt Cover | 1 | |
| 6 | 0031-72200 | Label, Belt Size | 1 | |
| 7 | 80-1488-928-10 | Label, Caution for Belt Involving | 1 | |
| 8 | 0031-72600 | Nonslip Seal | 1 | |
| 9 | 0031-72500 | Label, Step | 1 | |
| 10 | 0223-76100 | Label, Caution (Large) | 1 | |
| 11 | 83-1260-909-10 | Attention Mark for Rotary | 2 | |
| 12 | 0223-72910 | Attention Mark for Slope | 1 | |
| 13 | 0215-83200 | Label, Protection Equipment | 1 | |
| 14 | 0031-72800 | Label, Noise 93db | 1 | |
| 15 | 83-1141-926-00 | Oil Inlet Mark | 1 | |
| 16 | 80-1260-905-00 | Label 1, PICO | 1 | |
| 17 | 0031-72100 | Label, Change (SF600) | 1 | |
| 18 | 0031-73300 | Label, Model (SF600) | 1 | |
| 19 | 80-1260-903-00 | Label, Company Name | 2 | |